

Q2-Uxx Series

Product Specifications

ANZ#: Z247b, Oct. 20, 2017

| High Power LED Driver | |
|-----------------------|----------------|
| Total Power | 100 Watts max. |
| Input Voltages | 110 ~ 277VAC |
| Number of Outputs | One |

SPECIAL FEATURES

- Universal input range from 100VAC~304VAC, 50/60Hz
- Versatile mechanical design maximizes design flexibility.
- Dimensions, refer to drawings (various styles of mech. Cases)
- Fully potted, suitable for dry and damp location applications
- 3 in 1 Dimming Control plus “ENABLE”, low dim “ON”.
- UL Listed with HL and CE compliant
- Wide selection of pre-adjusted CC and CV outputs (factory setting)

ENVIRONMENTAL

| | |
|----------------------------|--|
| Operating temperature: | -40 to +50 ° C, Tc: 85 ° C |
| Storage temperature: | -40 to +85 ° C |
| Humidity (Non-Condensing): | 5% to 95% |
| Cooling: | Convection |
| Vibration Frequency: | 5 to 50 Hz |
| MTBF: | >100,000 Hours at full load and 25°C ambient conditions (TELC3 – Telcordia SR-332, Issue 3) |



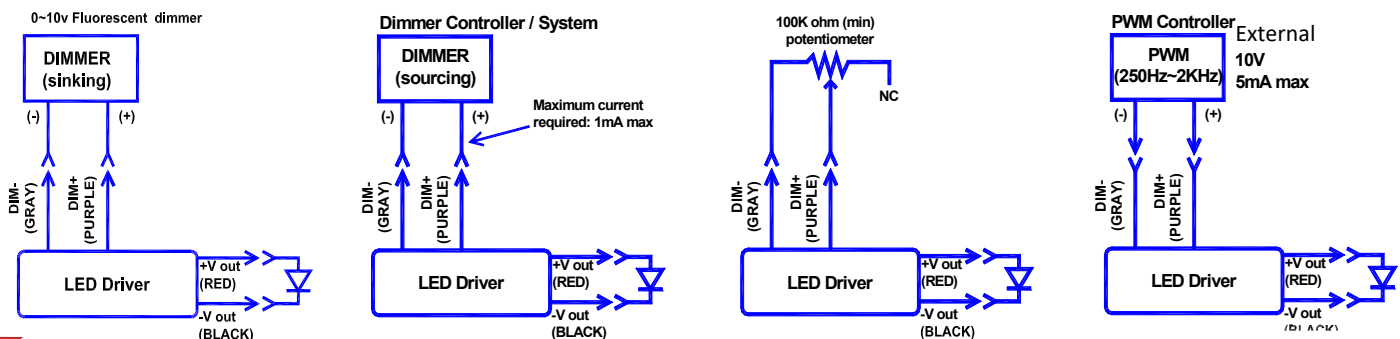
SPECIFICATIONS :

| | |
|---|--|
| Input Range : 110 ~ 277VAC | Frequency : 47 to 63Hz |
| Power Factor: > 0.92 at 65% to 100% load, 115VAC or 230VAC | Inrush Current : 10.0 Amps max. at 230VAC, cold start 25°C |
| Input Current : 1.1 Amps max. at 115VAC | Efficiency : 87% Typical |
| Output Current Regulation : ±5% | Maximum Power : 100 W |
| Protection : OCP, SCP, OLP – Auto Recovery | Leakage Current : 3mA typ. |
| Control : 0-10V dimmer; PWM (250-3KHz); Potentiometer; Enable | Dimension: 155 x 64 x 40 mm (LxWxH) and others |
| Hold up time: Half cycle min. at 120VAC and 80% rated load | Regulation Compliance: UL8750 or EN61347, EN55015, EN61547 |

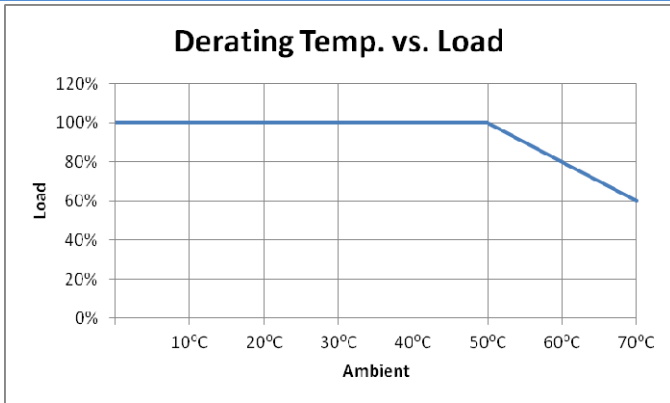
Model Selection Table – CV model: Q2-Uxx-zz ; CC model: Q-Uxx-Cyyyy-zz

| Model No. | Input | | | Output | | | | | | Class 2 Yes/No |
|-----------------|------------------|--------------|----------------|-----------|---------------|------|------|--------------|------|-------------------|
| | Voltage (VAC) | Freq (HZ) | Current (A) | Power (W) | Voltage (Vdc) | | | Current (mA) | | |
| | | | | Max. | Min. | Nom. | Max. | Min. | Max. | |
| Q2-U12-Cyyyy-zz | 110~277Vac | 50/60 | 1.10~0.43 | 75 | 7 | 12 | 15 | 2500 | 5000 | Yes |
| Q2-U24-Cyyyy-zz | 110~277Vac | 50/60 | 1.10~0.43 | 100 | 15 | 24 | 27 | 1900 | 5000 | Yes |
| Q2-U36-Cyyyy-zz | 110~277Vac | 50/60 | 1.10~0.43 | 100 | 23 | 36 | 39 | 1300 | 3340 | Yes |
| Q2-U48-Cyyyy-zz | 110~277Vac | 50/60 | 1.10~0.43 | 100 | 31 | 48 | 51 | 1000 | 2550 | Yes |
| Q2-U54-Cyyyy-zz | 110~277Vac | 50/60 | 1.10~0.43 | 100 | 35 | 54 | 57 | 900 | 2290 | Yes |

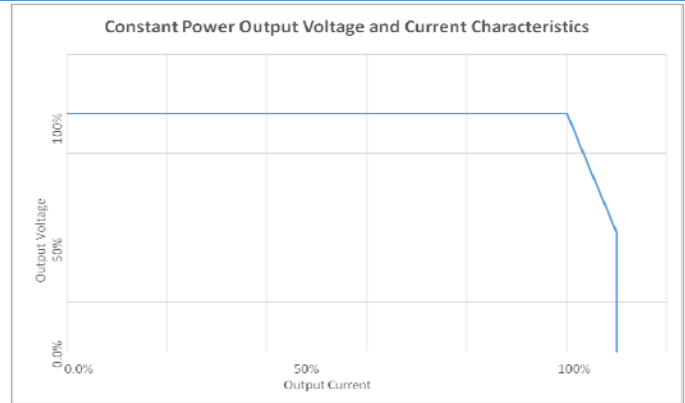
Dimming Wiring Diagram (Standard: “low dim on”; “low dim off” is available upon request)



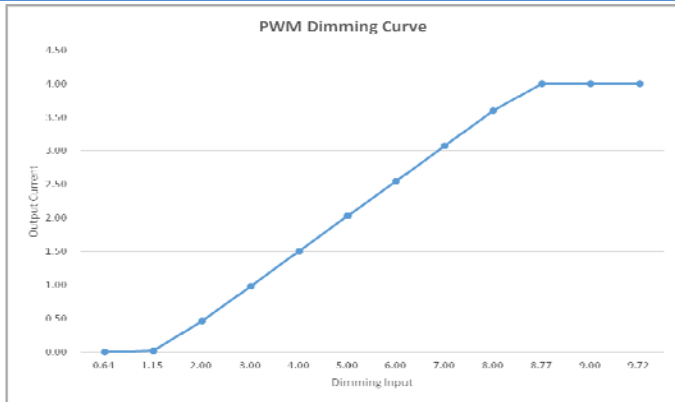
De-rating Temp. vs. Load



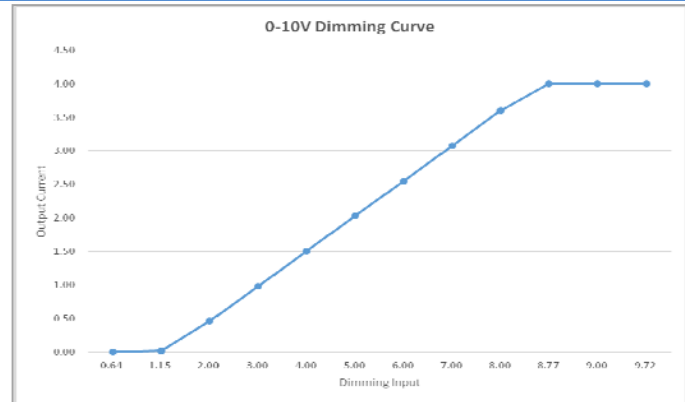
Constant Power Output Voltage vs. Current



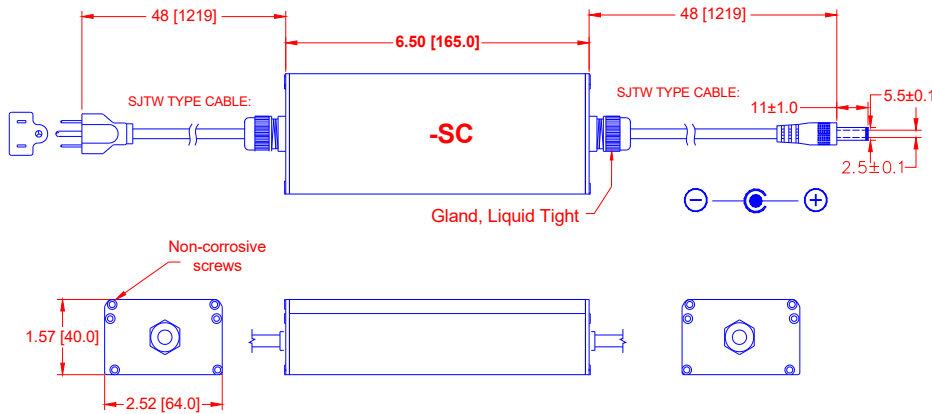
PWM Dimming Curve



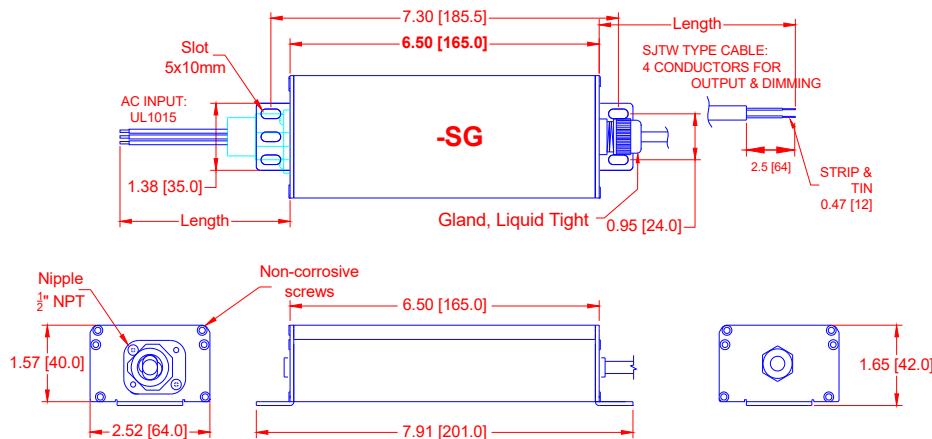
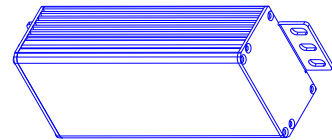
1-10V Dimming Curve



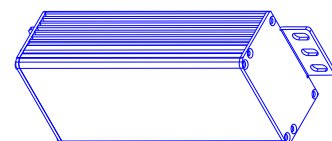
MECHANICAL SPECIFICATION : Q2-Uxx-Cyyyy-zz

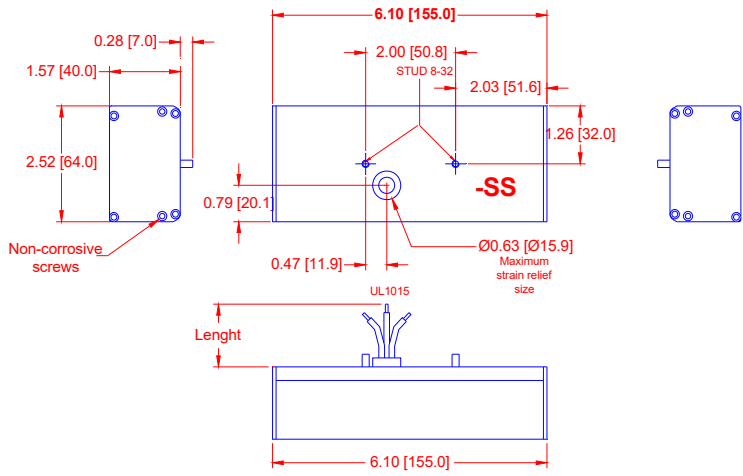


-SC: 6.50 (L) x 2.52 (W) x 1.57 (H) in.
 155 x 64 x 40 mm
 UL Listed

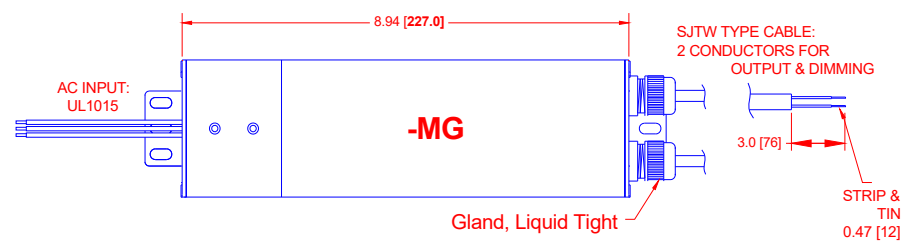
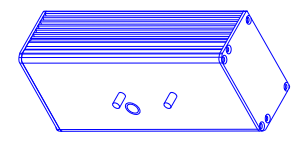


-SG: 6.50 (L) x 2.52 (W) x 1.57 (H) in.
 165 x 64 x 40 mm
 UL Listed

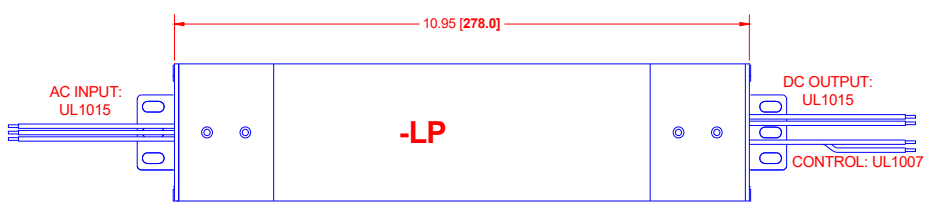
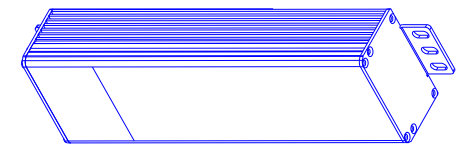




-SS: 6.10 (L) x 2.52 (W) x 1.57 (H) in.
 217 x 64 x 40 mm
 UL Listed



-MG: 8.94 (L) x 2.56 (W) x 1.57 (H) in.
 227 x 64 x 40 mm
 UL Listed



-LP: 10.95 (L) x 2.56 (W) x 1.57 (H) in.
 278 x 64 x 40 mm
 UL Listed

